

# #1003-B RB Concept Engines C3 "Buggy"



## Developed for Off-road Racing

Cylinder: 3.48cc                      Stroke: 16.80mm  
 Weight: 320gr.                      Bore: 16.20mm

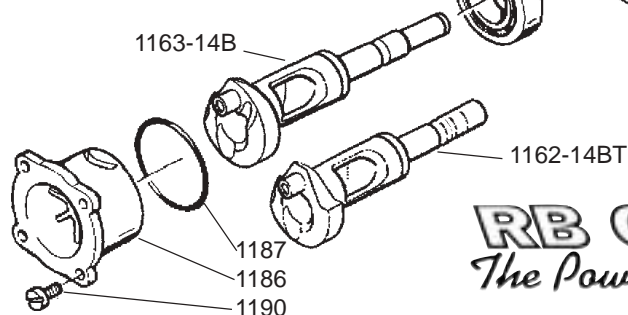
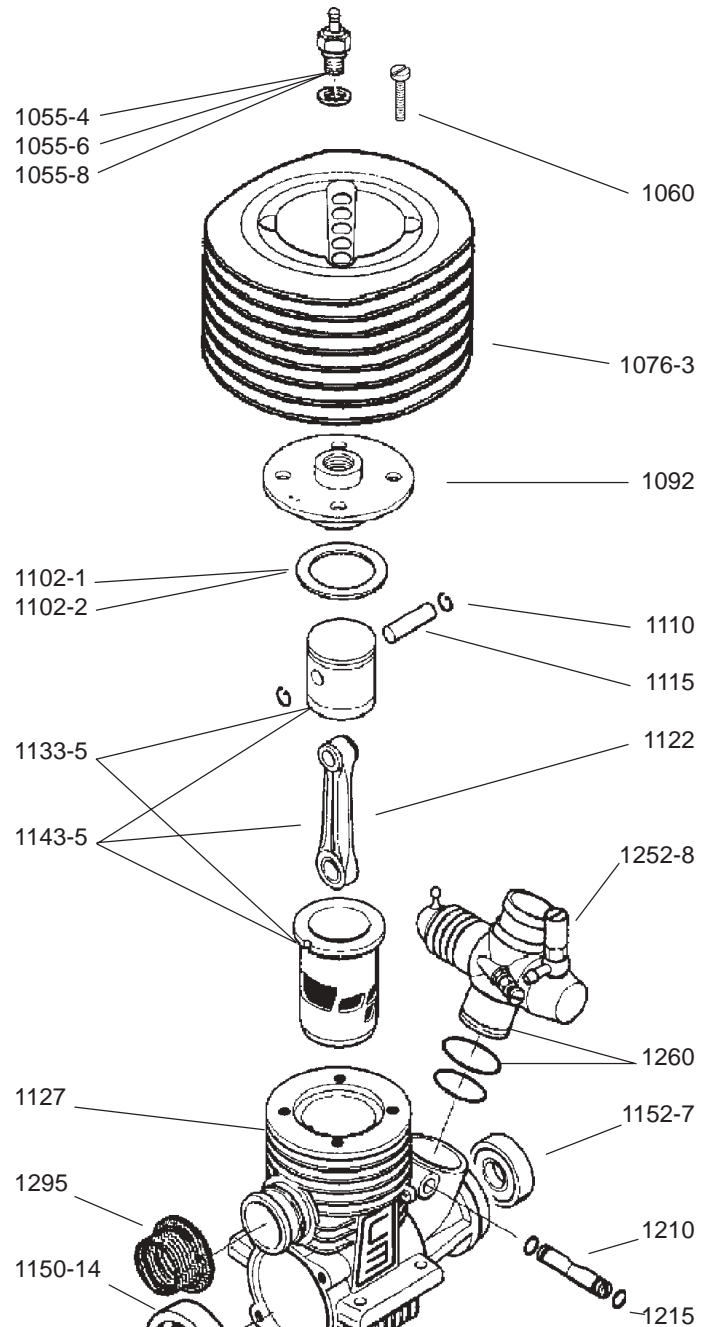
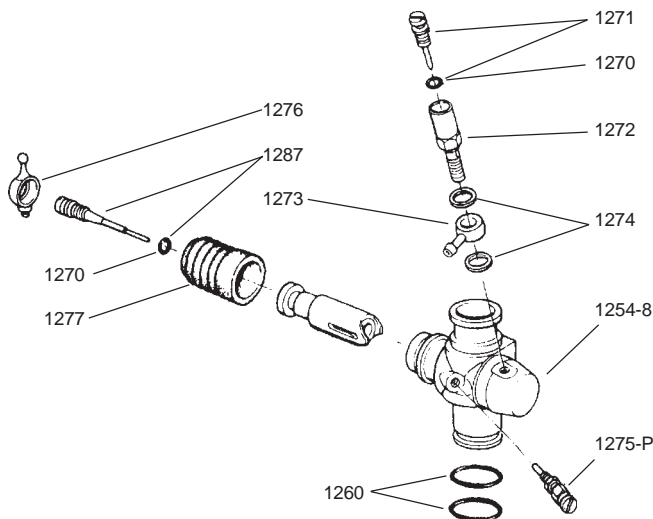
### Manifolds & Mufflers RB Concept

- 1295 Gasket for manifolds 1300+J/1301+J/1313+J
- 1312+J Manifold "ATHLETE" +Gasket +Springs
- 1313+J Manifold "BUGGY Universal" + Gasket + Springs
- 1321 Grooved silicone Manifold/Muffler tube "EXTRA STRONG"
- 1322 Spring manifold (2)
- 1350-62 Tuned pipe RB Concept EFRA No.62 + pressure (BUGGY)
- 1350-63 Tuned pipe RB Concept EFRA No.63 + pressure(CIRCUIT)
- 1350-63M 1350-63 for ATHLETE
- 1350-86 Tuned pipe RB Concept EFRA No.86 + pressure(CIRCUIT)

### RB Concept accessory

- 1150-14T Special tool for mounting bearings into crankcase
- 1291-B High performance foam/oil airfilter(buggy)
- 1291-1 Foam for #1291-B
- 1291-2 Special air-filter oil
- 1291-3 Conector 90° for #1291-B
- 1291-10 Complete package include 10 air-filter foam and special oil
- 1400 Oiler to remount the engines

### 1252-8 Carburator plastic RB Concept 8mm



**RB Concept**  
*The Power of Champions*

RB Products constantly improves its products, therefore changes can be made without prior notice. RB Products cannot be held responsible for any kind of damage or injury during building, storage, use or abuse of any of its products.

<http://www.rbproducts.com>

RB Concept engines is a brand of **R&B Products** Allevard FRANCE Tel:(33) 476.45.09.29 Fax:(33) 476.45.16.30